

ORTAC STAINLESS STEEL CABLE GLANDS SERIES


METAL CABLE GLANDS STAINLESS STEEL



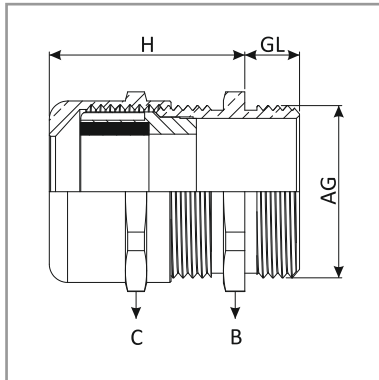
TECHNICAL DETAILS

Material

Cap nut	: Stainless Steel (1.4305/AISI303-1.4404/AISI316L)
Clamping insert	: Polyamide PA6 V2
Sealing ring	: TPV
Gland body	: Stainless Steel (1.4305/AISI303-1.4404/AISI316L)
O-ring	: NBR
Connection thread	: Metric (EN60423)/PG (DIN 40430)
Certificates	: UL, ROHS, CE, PT, TUV,
Protection class	: IP68 - 5 bar
Temperature range	: -20 °C +100 °C -40 °C +150 °C (short term)

Properties

High corrosion resistance
Smooth surface
Easy to assemble
Food, Pharmaceutical industry and On-Off shore applications



METRIC/PG THREAD CABLE GLANDS

AG Thread	Code	H mm	GL mm	B mm	C mm	mm
M 12 x 1,5	OMSG 01	22	6	14	14	3 - 6,5
M 16 x 1,5	OMSG 02	23	7	19	17	4 - 8
M 20 x 1,5	OMSG 03RS	26,5	8	22	22	4 - 10
M 20 x 1,5	OMSG 03	26,5	8	22	22	6 - 12
M 25 x 1,5	OMSG 04	28	8	27	24	10 - 14
M 32 x 1,5	OMSG 05	31,5	9	36	30	13 - 18
M 40 x 1,5	OMSG 06	38	9	46	41	18 - 25
M 50 x 1,5	OMSG 07	43	9	55	50	22 - 32
M 63 x 1,5	OMSG 08	48	14	70	65	33 - 44
PG 7	OPSG 01	22	6	14	14	3 - 6,5
PG 9	OPSG 02	23	6	17	17	4 - 8
PG 11	OPSG 03	24,5	6	22	22	5 - 10
PG 13,5	OPSG 04RS	26,5	6,5	22	22	4 - 10
PG 13,5	OPSG 04	26,5	6,5	22	22	6 - 12
PG 16	OPSG 05	28	6,5	24	24	10 - 14
PG 21	OPSG 06	31,5	7	30	30	13 - 18
PG29	OPSG 07	38	8	41	41	18 - 25
PG36	OPSG 08	43	10	50	50	22 - 32
PG42	OPSG 09	47	12	60	60	30 - 38
PG48	OPSG 10	48	14	65	65	33 - 44

* Long thread versions are also available.